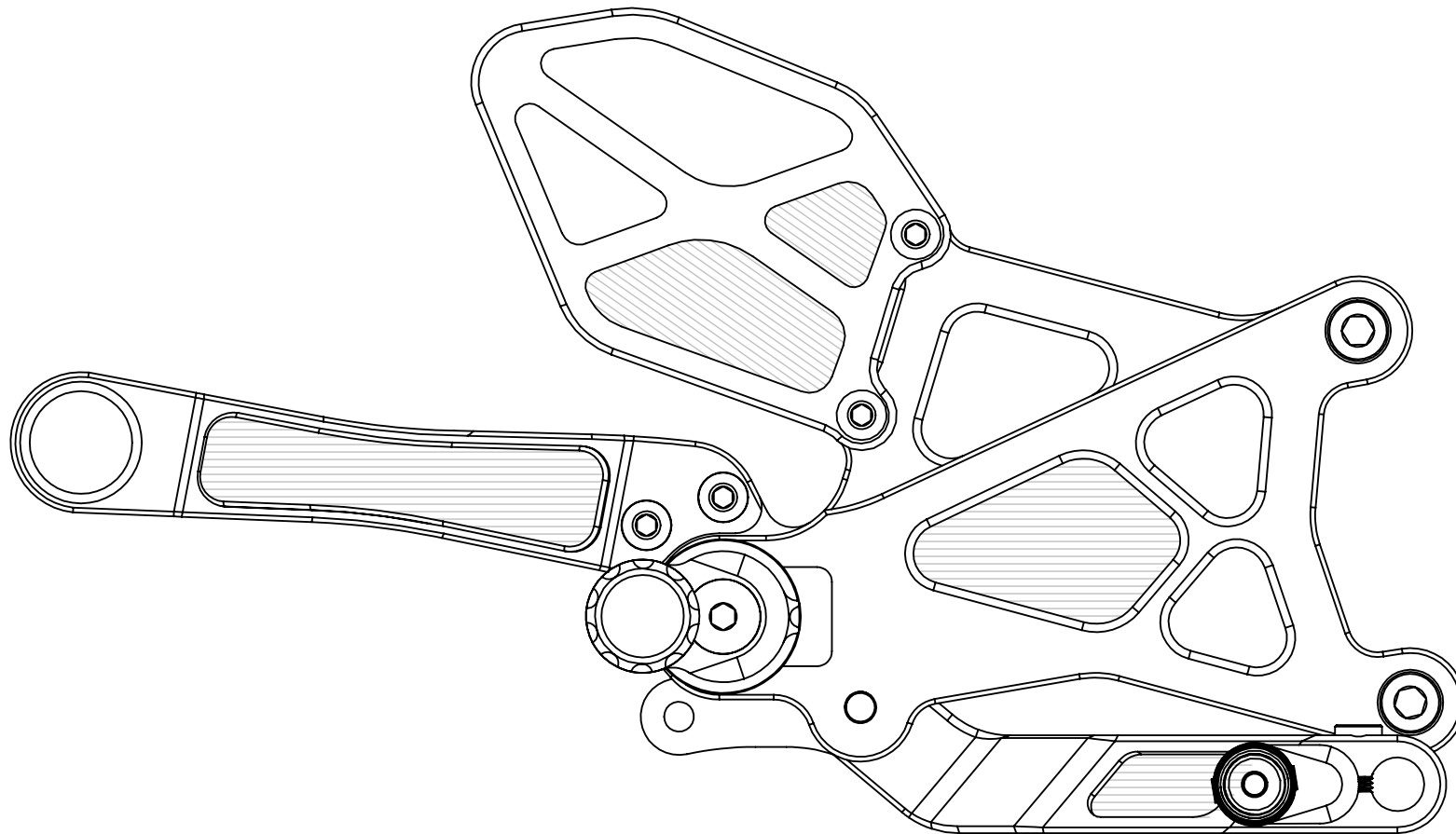


RS671 Brake Side INSTRUCTIONS

ASSEMBLY INFO & EXPLODED VIEW



THIS PRODUCT IS TO BE INSTALLED BY A CERTIFIED MECHANIC ONLY



RS671 Brake Side INSTRUCTIONS

RS671 Brake Bracket EXPLODED VIEW



INDEX



LUBRICATE



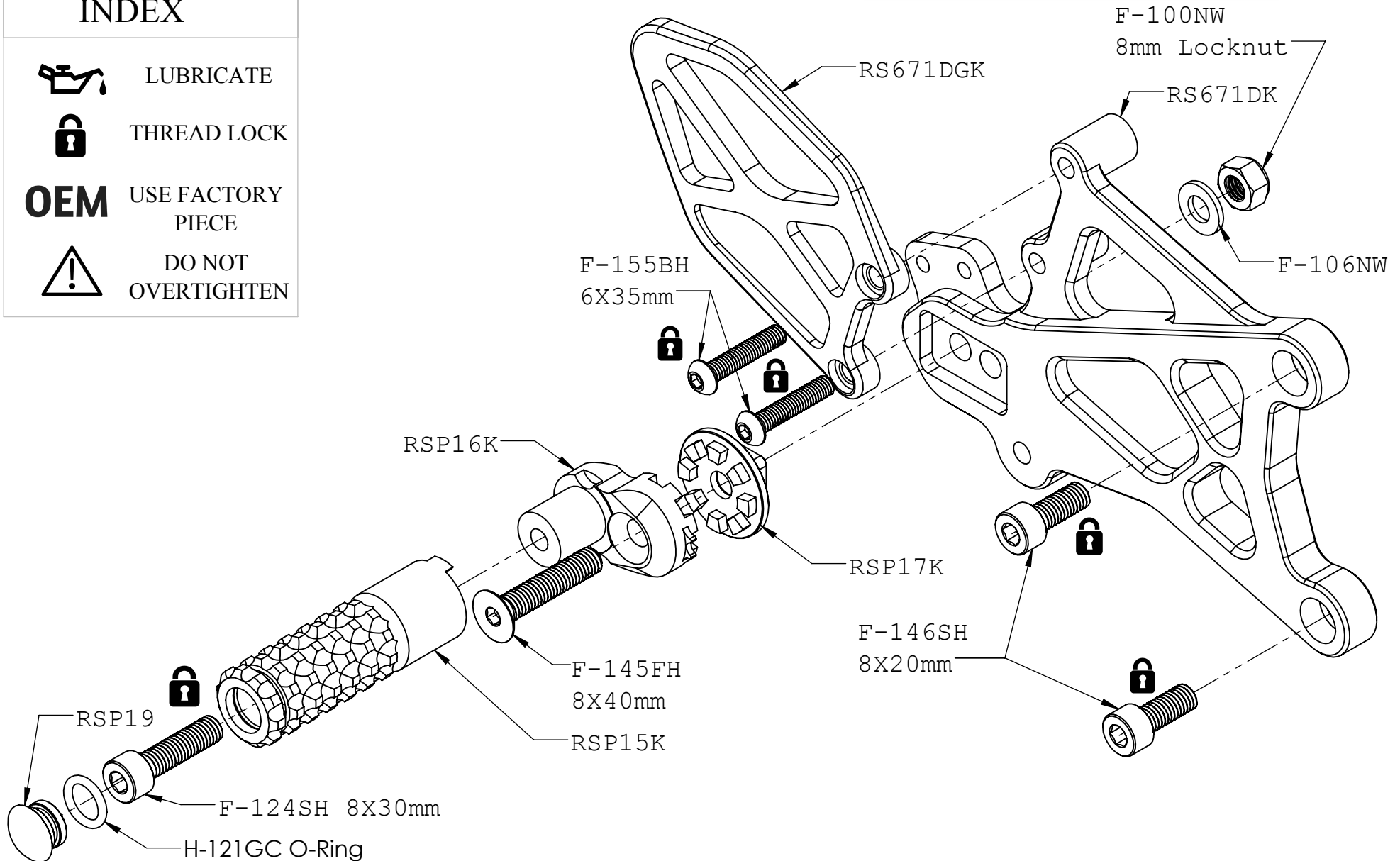
THREAD LOCK

OEM

USE FACTORY
PIECE



DO NOT
OVERTIGHTEN



1.800.440.3559

www.VORTEXRACING.com

EXHAUST BRACKET AND BOLTS HIDDEN, SHOWN ON NEXT PAGE

RS671 Brake Side INSTRUCTIONS

RS671 Brake Bracket EXPLODED VIEW



INDEX



LUBRICATE



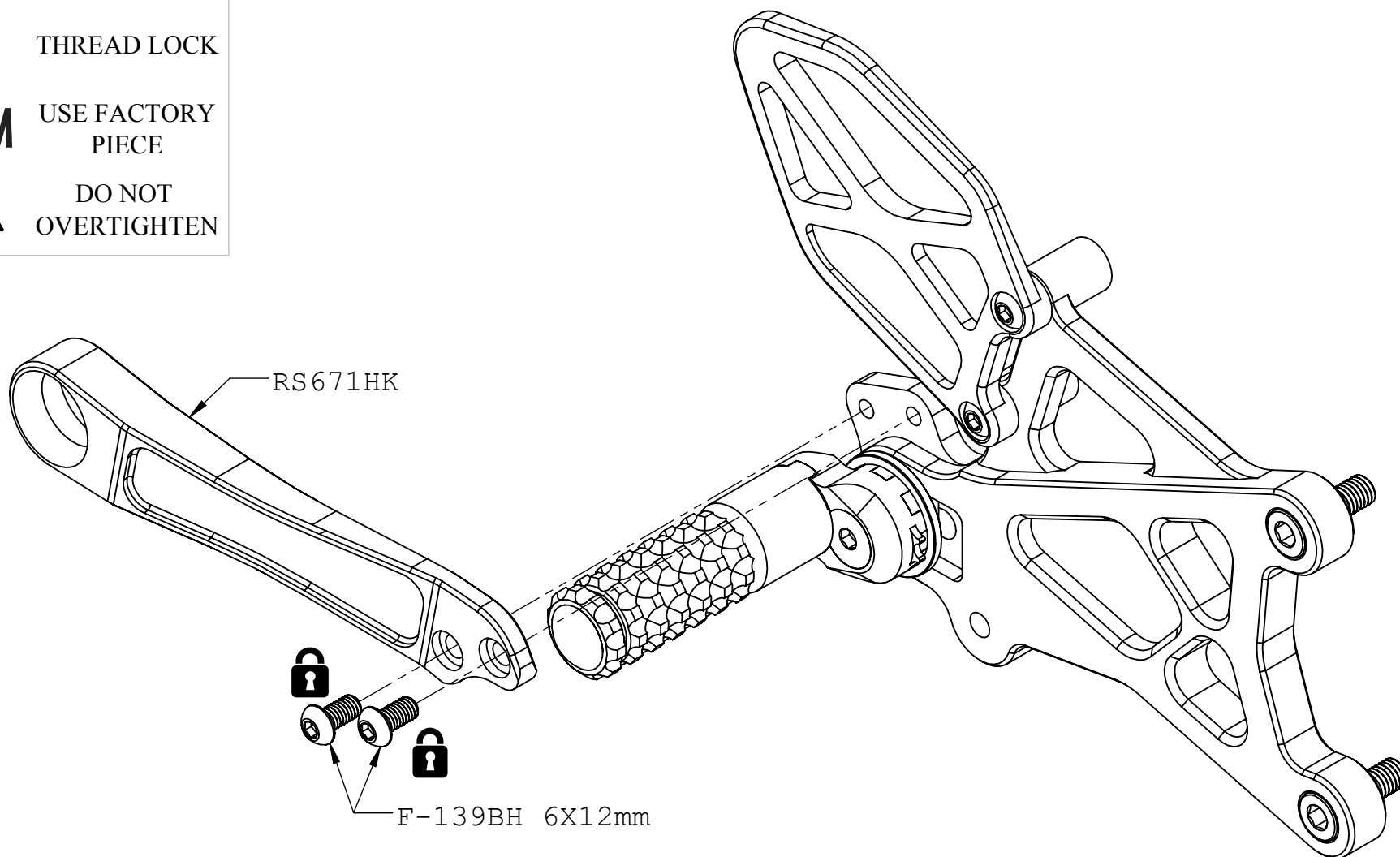
THREAD LOCK

OEM

USE FACTORY
PIECE



DO NOT
OVERTIGHTEN





INDEX



LUBRICATE



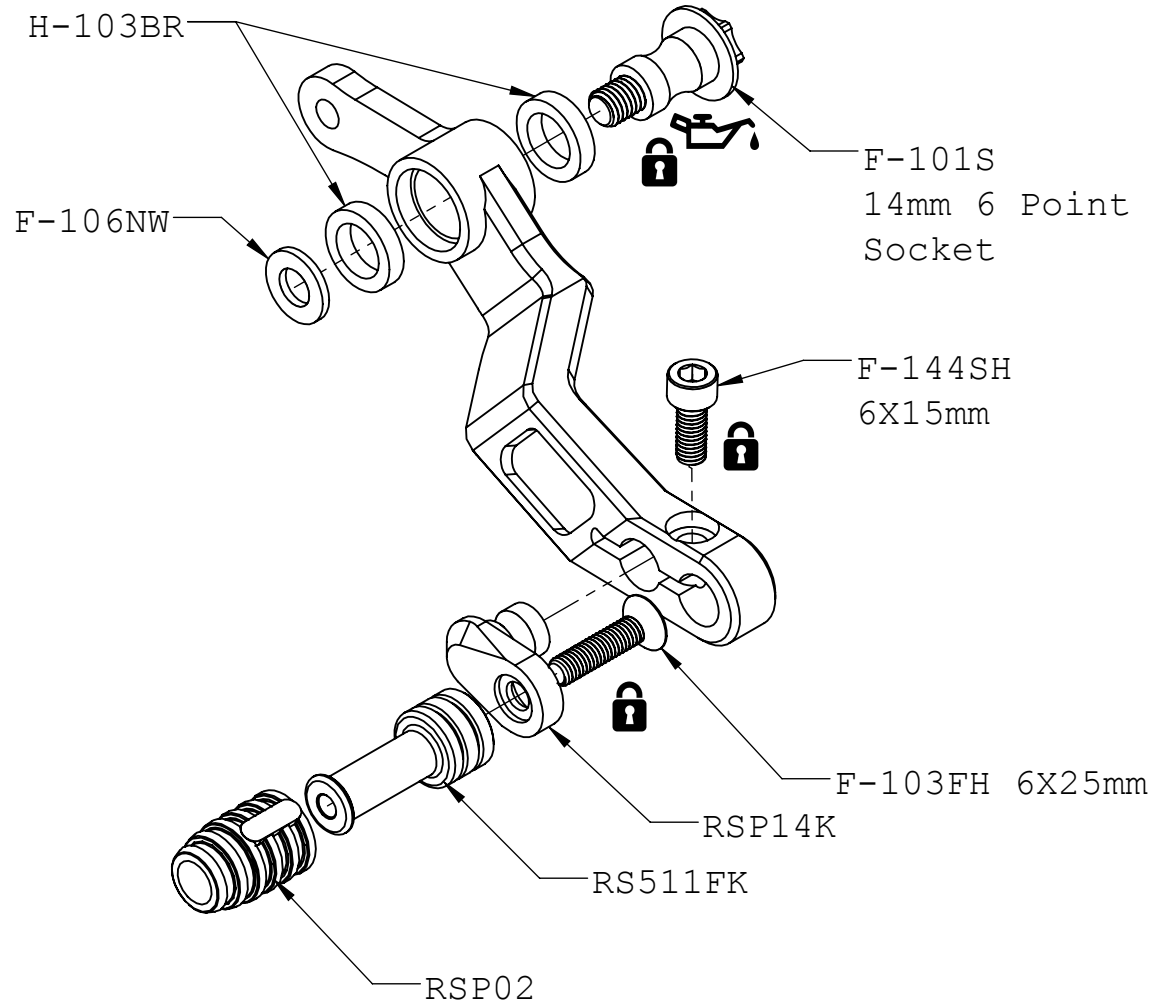
THREAD LOCK

OEM

USE FACTORY
PIECE



DO NOT
OVERTIGHTEN



RS671 Brake Side INSTRUCTIONS

Brake Side Cable Routing

